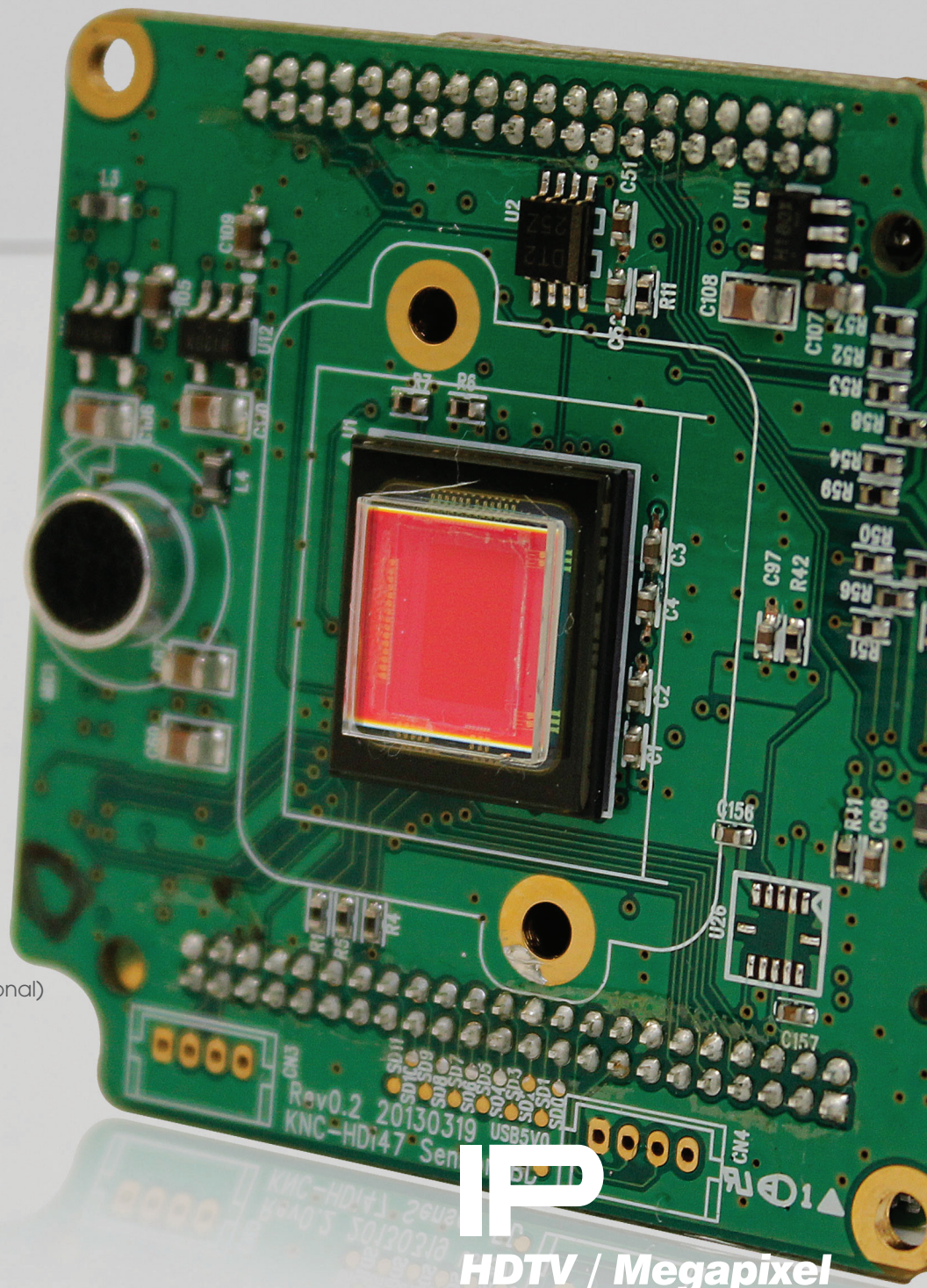


ACE-HDi47

IP Module Camera

www.ktncusa.com

- Member of Onvif
- 2.43 Megapixel, 1/2.8" SONY Exmor CMOS
- Board Lens: 3.7 mm (3MP), 8 mm (1.3MP)
- Pinhole Lens: 4.3 mm P4 (1.3MP)
- Digital Day & Night, True Day & Night (Optional)
- Min. Illumination of 0.1 Lux
- Size: 47 x 47 x 30 mm
- 3D DNR / BLC / HLC / AWB / AGC
- DC 12 V Power

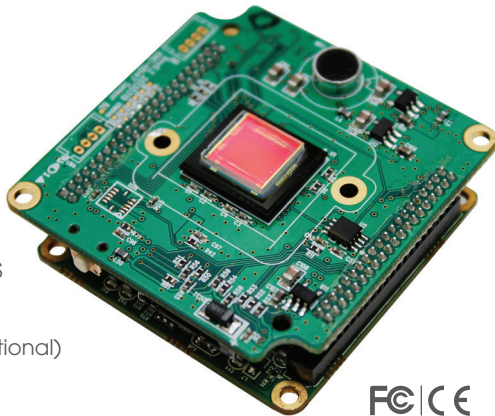


IP
HDTV / Megapixel
Network Cameras

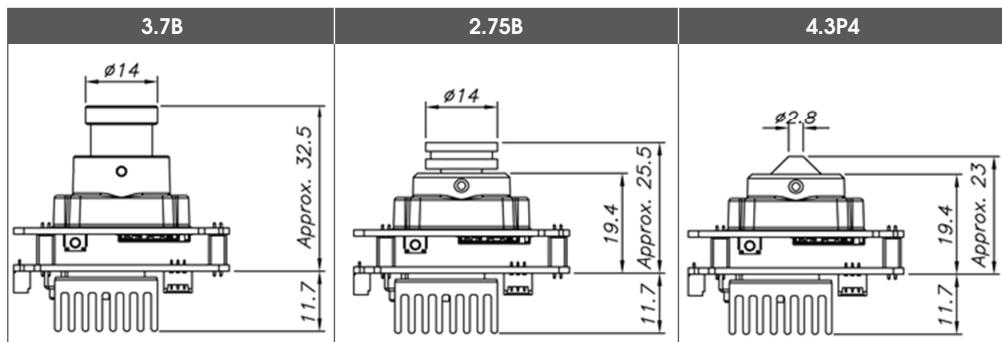
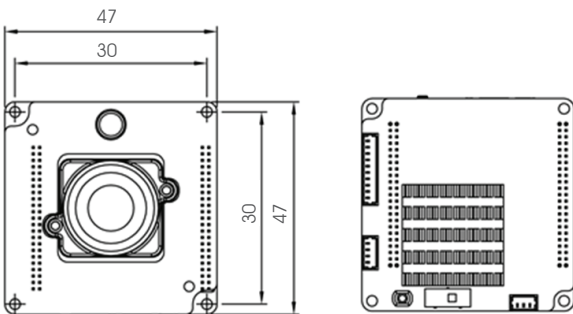
IP

HDTV / Megapixel
Network Cameras

- Member of Onvif
- 2.43 Megapixel, 1/2.8" SONY Exmor CMOS
- Board Lens: 3.7 mm (3MP), 8 mm (1.3MP)
- Pinhole Lens: 4.3 mm P4 (1.3MP)
- Digital Day & Night, True Day & Night (Optional)
- Min. Illumination of 0.1 Lux
- Size: 47 x 47 x 30 mm
- 3D DNR / BLC / HLC / AWB / AGC
- DC 12 V Power



General Feature Diagram Unit: (mm)



ACE-HDi47

IP Module Camera



Technical Specification

Camera	Image Sensor	2.43 Megapixel, 1/2.8" SONY Exmor CMOS			
	Total Pixels (H x V)	2000 x 1241			
	Day & Night	Digital Day & Night, True Day & Night (Optional)			
	Min. Illumination	0.1 Lux / F2.0			
Lens	Shutter Speed	1/30 ~ 1/8000			
	Lens	Board	3.7mm (3 MP), 8mm (1.3 MP)	Pinhole	4.3mm P4 (1.3 MP)
Video	Lens Type	Fixed Board or Pinhole Lens			
	Maximum Resolution	H.264	1920 x 1080 (16:9)	MJPEG	1280 x 720 (16:9)
	Frame Rate	H.264	30 fps	MJPEG	30 fps
	Compression	H.264		MJPEG	
	Streaming	Dual-Stream at different frame rate and bandwidth			
	Digital Slow Shutter	Off, 2x, 4x (AUTO)			
Audio	Image Settings	Brightness, Contrast, Saturation, Sharpness, White balance, Exposure control, Image rotation, Text and image overlay, Privacy masking, BLC, D-WDR, 3D DNR			
	Streaming	One-way			
	Compression	G.711, G.726			
Network	Input / Output	Internal Microphone			
	LAN	Ethernet 10/100 Base-T (RJ-45 Type)			
	Security	Multiple user access levels with password protection, HTTPS (SSL)			
	Protocol	IPv4, HTTP, TCP, RTSP, RTP, UDP, IGMP, RTCP, SMTP, FTP, ICMP, DHCP, ARP, DNS, DDNS, HTTPS, UPnP			
	ONVIF Compliant	Yes			
Intelligent Video	Interface	OS	Windows XP, Vista, 7	Browser	Internet Explorer
	Record Schedule	Continuous, Motion, Sensor, Pre & Post Alarm			
Alarm and Event	Video Motion Detection	Yes			
	Alarm Triggers	Intelligent video, manual triggers, network fail, SD card scheduling, reboot			
General	Alarm Events	JPEG image upload via FTP & Email, notification via E-mail, recording AVI or JPEG using Micro-SD			
	Processors	CPU: ARM 1136EJ-S			
	Memory	RAM: 256MB, Flash: 256MB			
	Power	PoE class 3 (IEEE 802.3af) DC 12V 220mA			
	Interface	Service video connector Power (DC 12V) Input Status LED			
	Local storage	MicroSD/SDHC up to 32 GB			
	Operating Temperature	14 °F ~ 122 °F (-10 °C ~ 50 °C)			
	Conditions	Humidity 20 ~ 80% RH (No Condensing)			
	Dimension	1.9 x 1.9 x 1.2 inch (47 x 47 x 30 mm)			
	Weight	0.2 lb (110 g) (Including PoE Active Splitter)			