



INNOVATIVE
HIGH DEFINITION SURVEILLANCE



OMNI
EZ HD TVI

 **KCC-b2SI4**

1080p HD Over Regular Coax or UTP
Covert Camera in Smoke Detector Shaped Housing
(Non-Functioning), Day/Night, 3.7mm, OSD, DNR, 12VDC

KCC-b2SI4: 1080p Covert Camera in Smoke Detector Shaped Housing (Non-Functioning), Day/Night, 3.7mm, OSD, DNR, 12VDC

OMNI EZ HD TVI

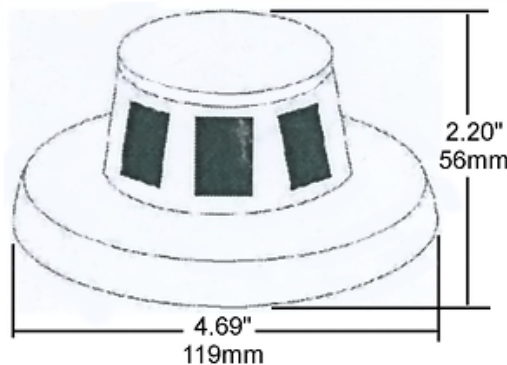
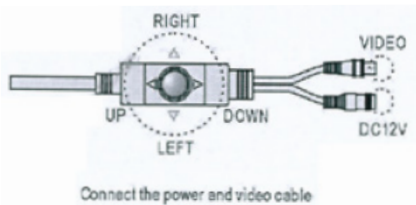
KCC-b2SI4

1080p HD Over Regular Coax or UTP
Covert Camera in Smoke Detector Shaped Housing
(Non-Functioning), Day/Night, 3.7mm, OSD, DNR, 12VDC



Features

- Superlative HD resolution of 1080p Full HD for amazing image quality
- useful digital zoom on live view and playback
- Field select 30 or 25 Hz
- Operation over 'almost any' wire
 - More than 1000 feet on standard RG59 coax
 - More than 1500 feet on RG6
 - More than 500 feet on UTP (one pair from a Cat5e cable, using optional KA-HDBAL1 balun pair).
- HD-TVI HD BNC main output
 - Field select CVBS analog service video for test/alignment
- Covert Smoke Detector shaped* housing for unobtrusive surveillance
- CMOS Sensor size 1/2.8" with 2.4 Megapixels
- OSD joystick at camera
 - Auto Electronic Shutter (AES)
 - Back Light (BLC) and Front Light (FLC) Compensation
 - White balance for colorful or monochrome environments
 - D/N operation with selectable auto/color/monochrome
 - 2D Noise Reduction (2DNR) with separate Y & C control
 - Sharpness control for detail, edge and saturation
- 12VDC power with low current draw



1080p

Covert

OSD

Day/Night

BLC

FLC

NTSC PAL

DC12

Technical Specifications:

Model	KCC-b2SI4
Image Sensor	1/2.8" 2.4 Megapixel CMOS
Effective Picture Elements	1920x1080 pixels
Video Output	HD-TVI: 1080p 30/25Hz nominal 960H CVBS for test/alignment switchable at camera
Minimum Illumination	0.01LUX @ F1.2 (AGC on)
Lens Furnished	Pinhole lens 3.7mm
S/N Ratio	More than 52 dB
OSD Menu	3-axis joystick on cable
Scanning system	NTSC/PAL selectable
Auto Electronic Shutter	NTSC:1/60s~1/100,000s, PAL:1/50s~1/110,000s
Gamma Characteristic	0.45
Day/Night	Internal/Color/Mono
Gain Control	Automatic, adjustable for brightness
White Balance	Auto/Gray
Back/Front Light Compensation	Off/BLC/FLC
Noise Reduction	Off/On for 2DNR, Y, C
Sharpness	Adjustable for Detail, Edge and Saturation
Synchronization	Internal
OSD Language	English and Chinese
Video Output	BNC-F; 1 V p-p / 75 ohm HD-TVI or CVBS
Operating Temperature	14°F to 113°F (-10°C to 45°C)
Humidity	Indoor 85% non-condensing
Power Supply Requirements	12VDC regulated; 300mA recommended
Weight	12.3 oz. / 350 gm
Dimensions	4.69" Ø x 2.20" H (119mm Ø x 56mm H)

*Option: Switch between HD-TVI & CVBS mode, push the OSD button to "up" position and hold for 6 seconds

*Not a functional smoke detector.
KT&C America reserves the right to make changes to improve our products at any time without notice; we are not responsible for misprints.