



KPC-E23NU

750TVL Miniature Square Camera

www.ktncusa.com

- 750TVL Horizontal Resolution
- 1/3"960H EXview HAD CCD II
- Min. Illumination of 0.15 Lux
- Digital Day & Night
- 2D DNR / HLC / BLC / AWB / AGC
- Mirror / OSD / Multi Language
- DC 12 V Power



Resolution
960

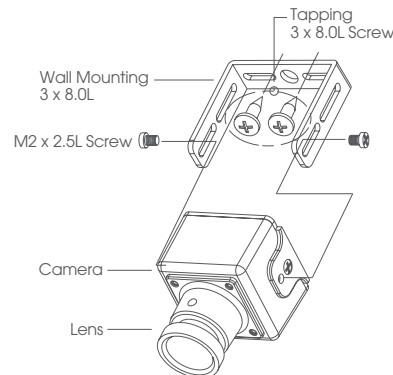
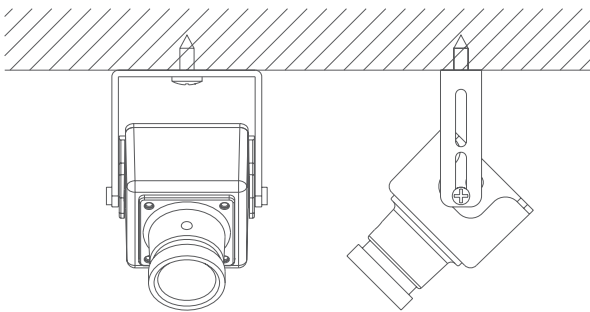
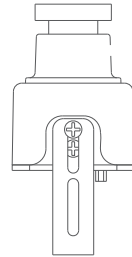
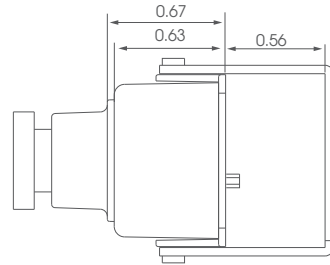
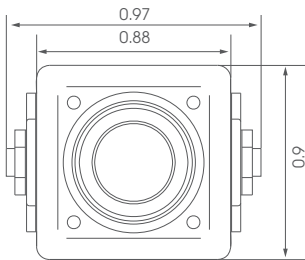
Resolution 960

- 750TVL Horizontal Resolution
- 1/3" 960H EXview HAD CCD II
- Min. Illumination of 0.15 Lux
- Digital Day & Night
- 2D DNR / HLC / BLC / AWB / AGC
- Mirror / OSD / Multi Language
- DC 12 V Power



FC CE

General Feature Diagram Unit: (inch)



KPC-E23NU

750TVL Miniature Square Camera



Technical Specification

Signal System	NTSC	
Image Sensor	1/3" 960H SONY EXview HAD CCD II	
Scanning System	2:1 Interlace	
Horizontal Resolution	750TV Lines	
Scanning Frequency	15.734 KHz x 59.94 Hz (H x V)	
Total Pixels	Effective Pixels	1020 x 508 (H x V) 976 x 494 (H x V)
Synchronization	Internal	
Lens	2.97 mm, 3.6 mm, 4.3 mm, 6 mm, 8 mm, 16 mm	
Lens Type	Fixed Board Lens	
S/N	More than 50 dB (AGC Off)	
Gamma	r = 0.45	
Min. Illumination	0.15 Lux	
Shutter Speed	1/60 ~ 1/100,000 sec	
Day & Night	Digital Day & Night	
Day & Night Function	Auto, Color, B/W	
Video Output Level	1.0 Vp-p Composite (75 Ω)	
On-Screen Display (OSD)	Built-in with Joystick	
BLC	Off, BLC, HLC	
DNR	2D DNR	
ATR	On / Off (Level Adjustable)	
White Balance	ATW, Push, User1, User2, Anti CR, Manual, Push-lock	
Privacy Masking	4 Zones	
Mirror	On / Off	
Motion Detection	4 Zones	
Other Function	Brightness, Contrast, Sharpness, Hue, Gain	
Language Option	English, Japanese, German, French, Russian, Portuguese, Spanish, Chinese	
Operating Temperature	14 °F ~ 122 °F (-10 °C ~ 50 °C)	
Storage Temperature	-4 °F ~ 140 °F (-20 °C ~ 60 °C)	
Humidity	Less than 80% RH	
Power Supply	DC 12V (±10%), Max. 70 mA	
Dimension	0.88 x 0.9 inch (22.4 x 23 mm)	
Weight	0.17 lbs (76 g)	