



**INNOVATIVE**  
HIGH DEFINITION SURVEILLANCE

# Resolution 960

## KPT-SPDN300NUCH

750TVL PTZ Camera

[www.ktncusa.com](http://www.ktncusa.com)

- 750TVL Horizontal Resolution
- 30x Optical Zoom Lens
- IP66 (Weather Resistant)
- True Day & Night with ICR Mechanism
- 3D DNR / WDR / OSD / Mirror
- 1/4 " SONY Double Scan Super HAD CCD II
- AC 24 V Power

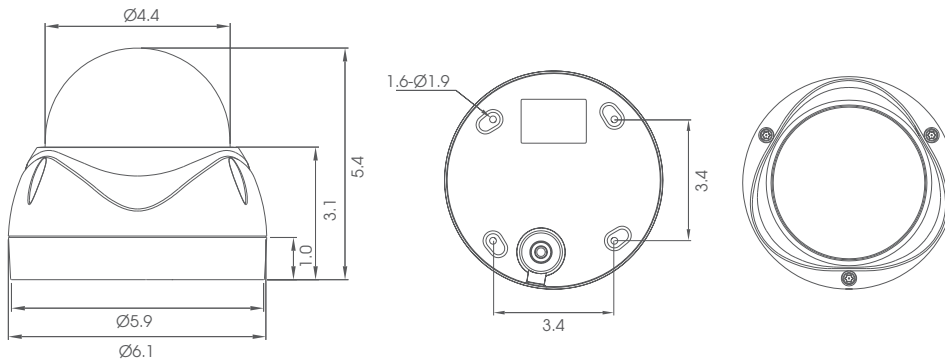




# Resolution 960

- 750TVL Horizontal Resolution
- 30x Optical Zoom Lens
- IP66 (Weather Resistant)
- True Day & Night with ICR Mechanism
- 3D DNR / WDR / OSD / Mirror
- 1/4 " SONY Double Scan Super HAD CCD II
- AC 24 V Power

## General Feature Diagram Unit: (inch)



# KPT-SPDN300NUCH

## 750TVL PTZ Camera

<b>750 TVL</b>	<b>SONY 1/4" II SUPER HAD CCD II</b>	<b>IP66</b>	<b>WDR</b>
<b>8 PATTERN</b>	<b>4 IN ALARM</b>	<b>360° CONTINUOUS</b>	<b>VANDAL PROOF</b>
			<b>AC24V</b>

## Technical Specification

Signal System	NTSC			
Image Sensor	1/4 " SONY Double Scan Super HAD CCD II			
Scanning System	2:1 Interlace			
Horizontal Resolution	750TV Lines			
Scanning Frequency	15.734 KHz x 59.94 Hz (H x V)			
Total Pixels	Effective Pixels	1028 x 508 (H x V)	976 x 494 (H x V)	
Synchronization	Internal			
Lens	30x Optical Zoom (F1.65 (W) ~ F3.79 (T), f = 3.5 ~ 104.02 mm)			
Lens Type	30x Optical Zoom Lens			
S/N	More than 50 dB (AGC Off, 3DNR On)			
Gamma	r = 0.45			
Min. Illumination	0.2 Lux (30 IRE@F1.6), 0.001 (DSS), 0.1 Lux (ICR)			
Shutter Speed	1/60 ~ 1/100,000 sec			
Day & Night	True Day & Night with ICR Mechanism			
Day & Night Function	Auto, Color, B/W			
IP Rating	IP66 (Weather Resistant)			
Video Output Level	1.0 Vp-p Composite (75 Ω)			
On-Screen Display (OSD)	Built-in			
DNR	3D DNR			
White Balance	ATW, Indoor, Outdoor, Push Auto, Manual (R Gain, B Gain), AWB			
Privacy Masking	15 Zones			
Mirror	Off, H-Flip, V-Flip, HV-Flip			
Motion Detection	4 Zones			
WDR	On / Off (Level adjustable)			
Digital Zoom Ratio	10x			
Digital Slow Shutter	Off, 2 ~ 128 Field			
Other Function	8 Auto Scan include vector scan, 210 Position with camera status, 210 Position with camera status			
Language Option	English, Chinese, Russian, Spanish, German, Italian, French, Netherlandish			
Operating Temperature	without Heater	14 °F ~ 122 °F (-10 °C ~ 50 °C)		
	with Heater	-40 °F ~ 122 °F (-40 °C ~ 50 °C)		
Storage Temperature	-4 °F ~ 140 °F (-20 °C ~ 60 °C)			
Power Supply	AC 24 V (±10%)	without Heater	Max. 850 mA	with Heater
External Control	RS-485, PTZ Controller			
Dimension	Bubble (Ø 4.4) Ø 6.1 X 5.4 inch (Bubble (Ø112) Ø 154 x 138 mm)			
Weight	3.3 lbs (1.5 Kg)			

## 210 Preset Positions

User can specify up to 210 preset position, time and method for automatic monitoring. The camera memorizes positions of the pan/tilt and zoom.



## WDR (Wide Dynamic Range)

To get detailed information from dark and bright combination image without any saturation, the WDR Technology is required. It combines bright areas with high shutter speed exposure and dark areas with low shutter speed exposure into one composite image.



Normal

BLC

WDR on