

5MP LightHunter Active Deterrence Mini PTZ Camera

UN-IPC675LFW-AX4DUPKC-VG



Key Features



- High quality image with 5MP, 1/2.7"CMOS sensor
- 5MP (2880*1620)@30/25fps; 4MP (2560*1440)@25fps;3MP (2304*1296)@25fps; 2MP (1920*1080)@ 30/25fps;
- Ultra 265, H.265, H.264, MJPEG
- Intelligent perimeter protection, include cross line, intrusion, enter area, leave area detection
- Based on target classification, smart intrusion prevention significantly reduce false alarm caused by leaves, birds and lights etc., accurately focus on human and, motor vehicle and non-motor vehicle
- LightHunter technology ensures ultra-high image quality in low illumination environment
- 120dB true WDR technology enables clear image in strong light scene
- Built-in Mic
- Built-in Speaker
- Smart IR, Up to 50 m (164 ft) IR and 10m (33 ft) warm light distance
- Supports 256 G Micro SD card
- IP66 protection
- Support PoE power supply

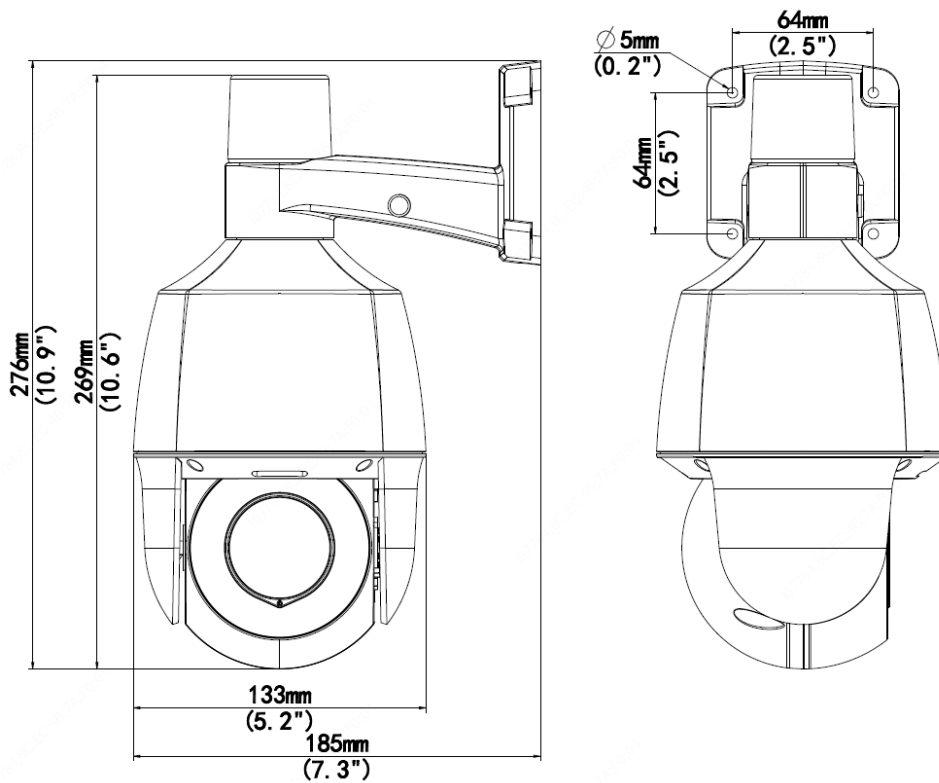
Specifications

| UN-IPC675LFW-AX4DUPKC-VG | | | | | | | | | | | | | | | | |
|--------------------------|---|-----------|------------|--------------|--------------|-------------|-------|------|------|------|-----|------|-------|-------|------|------|
| Camera | | | | | | | | | | | | | | | | |
| Sensor | 1/2.7" progressive scan, 5.0 megapixel, CMOS | | | | | | | | | | | | | | | |
| Lens | 2.8~12mm, AF automatic focusing and motorized zoom lens | | | | | | | | | | | | | | | |
| DORI Distance | <table border="1"> <thead> <tr> <th>Lens</th> <th>Detect(m)</th> <th>Observe(m)</th> <th>Recognize(m)</th> <th>Identify(m)</th> </tr> </thead> <tbody> <tr> <td>2.8mm</td> <td>63.0</td> <td>25.2</td> <td>12.6</td> <td>6.3</td> </tr> <tr> <td>12mm</td> <td>270.0</td> <td>108.0</td> <td>54.0</td> <td>27.0</td> </tr> </tbody> </table> | Lens | Detect(m) | Observe(m) | Recognize(m) | Identify(m) | 2.8mm | 63.0 | 25.2 | 12.6 | 6.3 | 12mm | 270.0 | 108.0 | 54.0 | 27.0 |
| | Lens | Detect(m) | Observe(m) | Recognize(m) | Identify(m) | | | | | | | | | | | |
| | 2.8mm | 63.0 | 25.2 | 12.6 | 6.3 | | | | | | | | | | | |
| 12mm | 270.0 | 108.0 | 54.0 | 27.0 | | | | | | | | | | | | |
| Angle of View (H) | 30.6°~104.1° | | | | | | | | | | | | | | | |
| Angle of View (V) | 17.4°~54.9° | | | | | | | | | | | | | | | |
| Angle of View (O) | 34.4°~108.3° | | | | | | | | | | | | | | | |
| Shutter | Auto/Manual, shutter time: 1 s ~ 1/100000 s | | | | | | | | | | | | | | | |
| Minimum Illumination | Colour:0.003 lux (F1.6,AGC ON) 0 lux with IR | | | | | | | | | | | | | | | |
| Day/Night | IR-cut filter with auto switch (ICR) | | | | | | | | | | | | | | | |
| Digital noise reduction | 2D/3D DNR | | | | | | | | | | | | | | | |
| S/N | >52 dB | | | | | | | | | | | | | | | |
| IR Range | UP to 50m (164ft) | | | | | | | | | | | | | | | |
| Wavelength | 850nm | | | | | | | | | | | | | | | |
| IR On/Off Control | Auto/Manual | | | | | | | | | | | | | | | |
| Warm Light Range | UP to 10m (33ft) | | | | | | | | | | | | | | | |
| WDR | 120dB | | | | | | | | | | | | | | | |
| Video | | | | | | | | | | | | | | | | |
| Video Compression | Ultra 265,H.265, H.264, MJPEG | | | | | | | | | | | | | | | |
| H.264 code profile | Baseline profile, Main Profile | | | | | | | | | | | | | | | |
| Frame Rate | Main Stream: 5MP (2880*1620), Max 30fps; 4MP (2560*1440), Max 25fps;3MP (2304*1296), Max 25fps; 2MP (1920*1080), Max 30fps; Sub Stream: 720P (1280*720), Max 30fps; D1 (720*576), Max 30fps; 640*360, Max 30fps; 2CIF (704*288), Max 30fps; CIF (352*288), Max 30fps; Third Stream: D1 (720*576), Max 30fps; 640*360, Max 30fps; 2CIF (704*288), Max 30fps; CIF (352*288), Max 30fps; | | | | | | | | | | | | | | | |
| Video Bit Rate | 128 Kbps~16 Mbps | | | | | | | | | | | | | | | |
| OSD | Up to 8 OSDs | | | | | | | | | | | | | | | |
| Privacy Mask | Up to 8 areas | | | | | | | | | | | | | | | |
| ROI | Up to 8 areas | | | | | | | | | | | | | | | |
| Motion Detection | Up to 4 areas | | | | | | | | | | | | | | | |
| Image | | | | | | | | | | | | | | | | |
| White Balance | Auto/Outdoor/Fine Tune/Sodium Lamp/Locked/Auto2 | | | | | | | | | | | | | | | |
| Digital noise reduction | 2D/3D DNR | | | | | | | | | | | | | | | |
| Smart IR | Support | | | | | | | | | | | | | | | |
| Flip | Normal/Vertical/Horizontal/180°/90°Clockwise/90°Anti-clockwise | | | | | | | | | | | | | | | |
| Dewarping | N/A | | | | | | | | | | | | | | | |
| HLC | Supported | | | | | | | | | | | | | | | |
| BLC | Supported | | | | | | | | | | | | | | | |

| | |
|----------------------------|---|
| Intelligent | |
| Smart intrusion Prevention | Cross Line, Intrusion, Enter Area, Leave Area detection; Motion detection ; |
| Events | |
| Basic Detection | Motion detection, Tampering alarm, Audio Detection |
| General Function | Watermark, IP Address Filtering, Tampering Alarm, Access Policy, ARP Protection, RTSP Authentication, User Authentication |
| Audio | |
| Audio Compression | G.711U, G.711A |
| Two-way Audio | Supported |
| Suppression | Supported |
| Sampling Rate | 8 KHZ |
| Storage | |
| Edge Storage | Micro SD, up to 256 GB |
| Network Storage | ANR, NAS(NFS) |
| Network | |
| Protocols | IPv4, IGMP, ICMP, ARP, TCP, UDP, DHCP , PPPoE, RTP, RTSP, RTCP, DNS, DDNS, NTP, FTP, UPnP, HTTP, HTTPS, SMTP , 802.1x , SNMP, SSL |
| Compatible Integration | ONVIF(Profile S, Profile G, Profile T), API |
| Client | EZStation EZView EZLive |
| Web Browser | Plug-in required live view: IE9+, Chrome 41 and below, Firefox 52 and below |
| | Plug-in free live view: Chrome 57.0+, Firefox 58.0+, Edge 16+, Safari 11+ |
| Pan & Tilt | |
| Pan Range | 0° ~345° |
| Pan Speed | 0.1° /s ~ 50° /s |
| | Preset speed: 50° /s |
| Tilt Range | -10~110° |
| Tilt Speed | 0.1° ~ 40° /s |
| | Preset speed: 40° /s |
| Number of Presets | 256 |
| Patrol | Preset patrol, Route patrol |
| Interface | |
| Network | 1 RJ45 10M/100M Base-TX Ethernet |
| Built-in Mic | Supported |
| Built-in Speaker | Supported |
| Alarm Light | Supported |
| Certifications | |
| Certifications | CE: EN 60950-1 UL: UL60950-1 FCC: FCC Part 15 |
| General | |
| Power | DC 12V ± 25%, PoE (IEEE802.3 at) |
| | Power consumption: Max 18 W |
| Dimensions (∅ x H) | ∅133mm*269.4mm (∅5.2" x 10.6") |

| | |
|---------------------|---|
| Net Weight | 0.87 kg (1.92lb) |
| Gross Weight | 1.13 kg (2.49lb) |
| Material | Metal + Plastic |
| Working Environment | -20°C ~ 60°C (-4°F to 140°F), Humidity: ≤95% RH(non-condensing) |
| Storage Environment | -20°C ~ 60°C (-4°F to 140°F), Humidity: ≤95% RH(non-condensing) |
| Surge Protection | 4KV |
| Ingress Protection | IP66 |
| Reset Button | Supported |

Dimensions



Accessories

TR-JB07-D-IN



TR-UP06-B-IN



TR-UP06-C-IN



TR-A01-IN



Zhejiang Uniview Technologies Co., Ltd.

South Tower, Building 10, Wanlun Science Park, 88 Jiangling Road, Hangzhou, P.R.China 310051

Email: overseasbusiness@uniview.com; globalsupport@uniview.com

<http://www.uniview.com>

©2020 Zhejiang Uniview Technologies Co., Ltd. All rights reserved.

*Product specifications and availability are subject to change without notice.