



IPC2124SR3 Series 4MP WDR Network IR Mini Bullet Camera



Features:

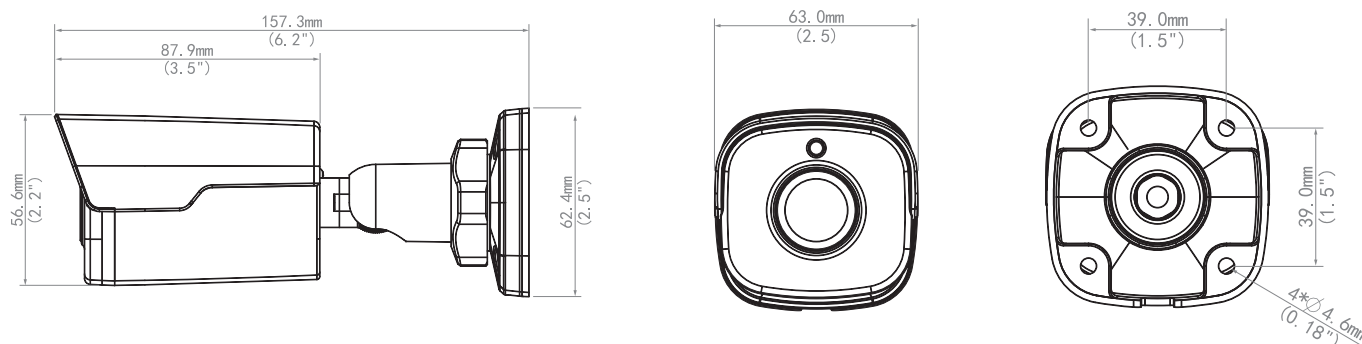
- 1/3" 4MP, progressive scan CMOS
- Up to 2688×1520 resolution, 20fps
- 3.6mm/6mm/12mm optional
- Smart IR, up to 30m IR distance
- DC 12V, PoE, wide voltage range of $\pm 25\%$
- IP66

IPC2124SR3 Series

4MP WDR Network IR Mini Bullet Camera

Camera	IPC2124SR3-DPF36	IPC2124SR3-DPF60	IPC2124SR3-DPF120
Sensor	1/3", 4.0 megapixel, progressive scan, CMOS		
Lens	3.6mm@F1.8 Angle of view(H): 90.5°	6.0mm@F1.8 Angle of view(H): 55°	12.0mm@F1.8 Angle of view(H): 35°
Shutter	Auto/Manual, 1/6~1/8000 s		
Min. Illumination	Color: 0.06 lux (F1.4, 50IRE) 0 lux with IR on		
Day/Night	IR-cut filter with auto switch (ICR)		
IR Range	Up to 30m (98 ft) IR range		
S/N	>52dB		
WDR	120dB		
Noise Reduction	2D/3D		
Video			
Max. Resolution	2592×1520		
Video Compression	H.264/MJPEG		
Frame Rate	4MP (2592×1520): max. 20 fps; 4MP (2560×1440): max. 25 fps; 3MP (2048×1520): max. 30 fps; 1080P (1920×1080): max. 30 fps		
Video Streaming	Triple		
9:16 Corridor Mode	Supported		
ROI	Supported		
Motion Detection	Up to 2 areas		
Network			
Protocols	IPv4,IGMP,ICMP,ARP,TCP,UDP,DHCP,RTP,RTSP,DNS,DDNS,NTP,FTP,UPnP,HTTP		
Compatible Integration	ONVIF		
Interface			
Network	1 RJ45 10M/100M Base-TX Ethernet		
General			
Power	12V DC, or PoE (IEEE802.3 af), 2.0W (6.4W with IR on)		
Dimensions (L × W × H)	157.3 × 62.4 × 63mm (6.2" × 2.5" × 2.5")		
Weight	0.45kg (0.99lb)		
Working Environment	-35°C ~ +60°C (-31°F ~ 140°F), humidity ≤ 90% RH (non-condensing)		
Ingress Protection	IP66		

*Product specifications and availability are subject to change without notice.



Zhejiang Uniview Technologies Co., Ltd.
Address: Building No.10, Wanlun Science Park, Jiangling Road 88, Hangzhou, P. R. China, 310051
Website: www.uniview.com Email: overseasbusiness@uniview.com

©2016 Zhejiang Uniview Technologies Co., Ltd. all rights reserved.
2016.01-OM-160122-OWN V1.0

