



IPC2324EBR-DPZ28

4MP VF Network IR Bullet Camera



Features :

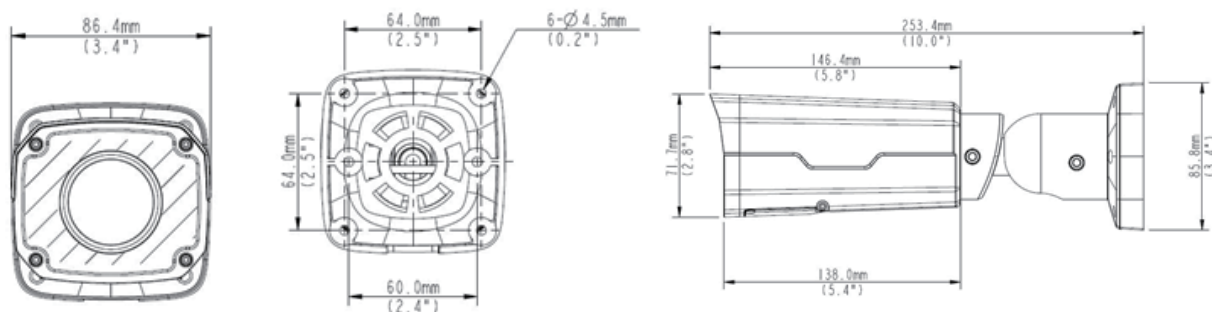
1/3", progressive scan, CMOS
Up to 2592×1520 resolution, 20fps
Smart IR
3D DNR, corridor mode, ROI, ONVIF
DC 12V, PoE, wide voltage range of $\pm 25\%$
IP66

IPC2324EBR-DPZ28

4MP VF Network IR Bullet Camera

Camera	
Sensor	1/3", 4 megapixel, progressive scan CMOS
Day/Night	IR-cut filter with auto switch (ICR)
Shutter	Auto/Manual, 1/6~1/8000 s
Min. Illumination	Color: 0.06 lux (F1.4, 50IRE), black & white: 0.03 lux (F1.4, 50IRE)
S/N	>52dB
WDR	120dB
Lens	2.8-12mm @F1.6 ; Angle of view: 90° ~ 28°
Zoom/Focus	Motor drive
Video	
Max. Resolution	2592 × 1520
Video Compression	H.264, MJPEG
Frame Rate	4MP (2592×1520): max. 20 fps; 4MP (2560×1440): max. 25 fps 3MP (2048×1520): max. 30 fps; 1080P (1920×1080): max. 30 fps
9:16 Corridor Mode	Supported
ROI(Region of Interest)	Supported
Video Streaming	Triple
Audio	
Audio Compression	G.711
Two-way Audio	Supported
Storage	
Edge Storage	Micro SD, up to 128 GB
Network	
Protocols	L2TP,IPv4,IGMP,ICMP,ARP,TCP,UDP,DHCP,PPPoE,RTP,RTSP,Qos,NTP,FTP,HTTP,SNMP,SIP
Compatible Integration	ONVIF, IMOS, API
Interface	
Audio I/O	Audio cable Input: impedance 35 kΩ; amplitude 2 V [p-p] Output: impedance 600 Ω; amplitude 2 V [p-p]
Alarm I/O	1/ 1
Network	10M/100M Base-TX Ethernet
General	
Power	12V DC, or PoE (IEEE802.3af) Power consumption: 3.5W (5.5W with IR on)
Material	Cast aluminum
Dimensions (L × W × H)	253.4 × 86 × 71.7 mm (9.98" × 3.4" × 2.8")
Weight	0.93 kg (2.05 lb)
Working Environment	-35°C ~ 60°C (-31°F ~ 140°F), humidity ≤ 90% RH(non-condensing)
Ingress Protection	IP66

*Product specifications and availability are subject to change without notice.



Zhejiang Uniview Technologies Co., Ltd.
Address: Building No.10, Wanlun Science Park, Jiangling Road 88, Hangzhou, P. R. China, 310051
Website: www.uniview.com Email: overseasbusiness@uniview.com

©2016 Zhejiang Uniview Technologies Co., Ltd. all rights reserved.
2016.01-OM-160124-OWN V1.0

