

HNC3V381TM-IRAS-S2/28

8MP Lite IR Fixed-Focal Turret Network Camera



With upgraded H.265 encoding technology, this Diamond series network camera has efficient video encoding capacity, which saves bandwidth and storage space. HNC3V381TM-IRAS-S2/28 adopts the latest starlight technology and displays better color image in the condition of low illumination. It supports SD card storage, dust-proof function, waterproof function and vandal-proof function, comply to the standards of IP67 and IK10 (Supported by some select models).



MODEL(S) AVAILABLE

HNC3V381TM-IRAS-S2/28

KEY FEATURES

- ▶ 8MP, 1/2.7" CMOS image sensor, high definition image
- ▶ Outputs max. 8MP (3840 × 2160) @ 15fps, and supports 2688 × 1520 (2688 × 1520) @ 25/30fps
- ▶ H.264 / H.265 encoding, high compression ratio, ultra-low bit rate
- ▶ Built-in IR LED, max IR distance: 98ft (30m)
- ▶ Rotation mode, WDR, 3D DNR, HLC, BLC, digital watermarking, applicable to various monitoring scenes
- ▶ Intelligent detection: Intrusion, tripwire
- ▶ Abnormality detection: Motion detection, video tampering, no SD card, SD card full, SD card error, etc.
- ▶ Supports max. 256 GB Micro SD card, built-in MIC
- ▶ 12V DC/PoE power support
- ▶ IP67 protection

Product Specifications

Camera				
Image Sensor	1/2.7" 8MP progressive CMOS			
Image Resolution	3840(H) × 2160(V)			
ROM/RAM	128MB / 256MB			
Scanning System	Progressive			
Electronic Shutter Speed	Auto / Manual, 1/3s ~ 1/100,000s			
Minimum Illumination	0.009 Lux @ F2.0			
IR LEDs	2			
IR Distance	Distance up to 98ft (30m)			
IR On/Off Control	Auto / Manual			
Lens Type	Fixed-focal			
Iris Type	Fixed			
Mount Type	M12			
Focal Length	2.8mm			
Angle of View	Horizontal: 105° ; Vertical: 56° ; Diagonal: 125°			
Max. Aperture	F2.0			
Day / Night	Auto (ICR) / Color / B/W			
Close Focus Distance	3.3ft (1.0m)			
Pan / Tilt / Rotation	Pan:0°~360°; Tilt:0°~78°; Rotation:0°~360°			
DORI Distance	Detect	Observe	Recognize	Identify
	74.7m	29.9m	14.9m	7.5m

Compression Standards				
Video Compression	H.265 / H.264 / H.264B MJPEG			
Smart Codec	Yes			
Streaming Capability	2 Streams			
Video Frame Rate	Main Stream: 3840 × 2160 @ 1~15fps; 2688 × 1520 @ 1~25/30fps			
	Sub Stream: 704 × 576 @ 1~25fps; 704 × 480 @ 1~30fps			
Video Resolution	3840 × 2160 (3840 × 2160) / 3072 × 2048 (3072 × 2048) / 3072 × 1728 (3072 × 1728) / 2592 × 1944 (2592 × 1944) / 2688 × 1520 (2688 × 1520) / 3M (2048 × 1536) / 2304 × 1296 (2304 × 1296) / 1080p (1920 × 1080) / 1.3M (1280 × 960) / 720p (1280 × 720) / D1 (704 × 576/704 × 480) / VGA (640 × 480) / CIF (352 × 288/352 × 240)			
Video Bitrate	H264: 32Kbps~8192Kbps H265: 12Kbps~8192Kbps			
Bit Rate Control	CBR/VBR			

Image and Feature Support	
BLC Mode	Yes
HLC	Yes
WDR	120dB
White Balance	Auto / Natural / Street Lamp / Outdoor / Manual / Regional Custom
Gain Control	Auto / Manual
Digital Noise Reduction	3D DNR
Motion Detection	Off / On (4 area; rectangular)
Region of Interest	Yes (4 areas)

Smart Illumination	Yes
Mirror	Yes
Privacy Masking	Yes (4 Areas)
Image Rotation	0° / 90° / 180° / 270° (Supports 90° / 270° with 2688 x 1520 resolution and lower.)
Audio Compression	G.711A; G.711Mu; G.726; AAC
Built-in MIC	Yes

Intelligent	
IVS	Tripwire; intrusion

Network & Interface	
Ethernet	RJ-45 (10/100 Base-T)
Network Protocol	IPv4; IPv6; HTTP; HTTPS; TCP; UDP; ARP; RTP; RTSP; RTCP; RTMP; SMTP; FTP; SFTP; DHCP; DNS; DDNS; QoS; UPnP; NTP; Multicast; ICMP; IGMP; NFS; PPPoE; 802.1x; Bonjour
Network Interoperability	ONVIF (Profile S/G/T); CGI; P2P; Milestone; Genetec
Network Max. Users	20
Storage	Cloud; FTP; SFTP; Micro SD Card (support max. 256 GB); NAS
Web Viewer	IE, Chrome, Firefox
Management Software	Smart PSS, DSS, DMSS
Mobile	IOS, Android
Certifications	CE-LVD: EN60950-1 CE-EMC: Electromagnetic Compatibility Directive 2014/30/EU FCC: 47 CFR FCC Part 15, Subpart B

General	
Power Supply	12V DC / PoE (802.3af)
Power Consumption	< 7.2W
Operating Temperature	-40 ~ 131°F (-40 ~ 55°C) / Less than 95% RH
Storage Temperature	-40 ~ 140°F (-40 ~ 60°C)
Ingress Protection	IP67
Casing	Metal
Dimensions	100.9mm × φ109.9mm (3.97" × φ4.33")
Net Weight	0.48kg (1.1lb)
Gross Weight	0.65kg (1.4lb)

Product Accessories



PFA152-E



PFB203W



PFA137

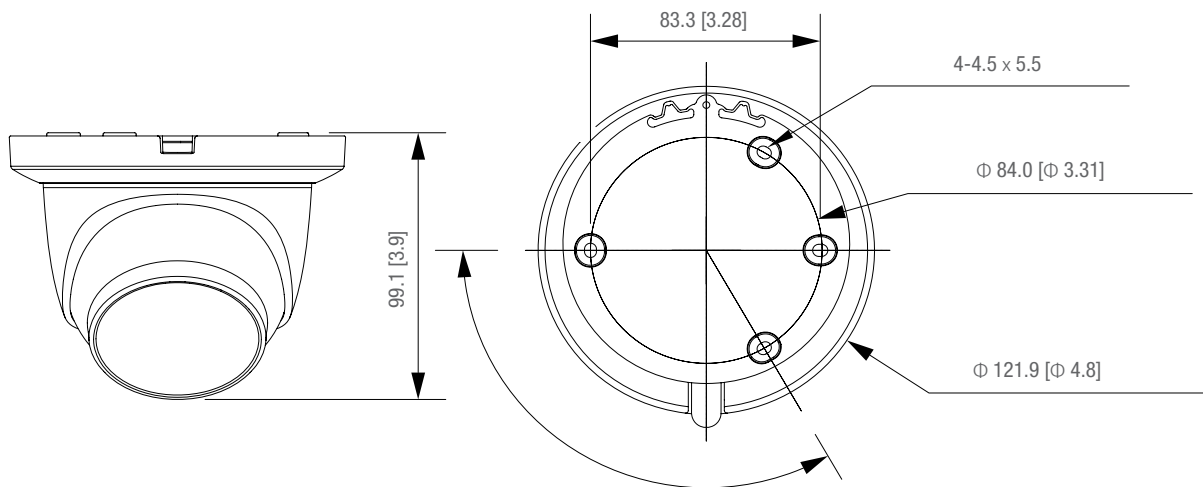


PFB220C



PFA106

Product Dimensions (mm [inch])



Plainview, NY
50 Commercial St., Plainview, NY 11803
Tel: 516-870-3779

Downtown LA, CA
1113 Venice Blvd., Los Angeles, CA 90015
Tel: 213-218-2260

Miami, FL
1604 NW 84 Ave., Doral, FL 33126
Tel: 786-410-6777

College Point, NY
129-04 14th Ave., College Point, NY 11356
Tel: 718-939-2710

San Francisco, CA
41324 Christy St., San Francisco, CA 94538
Tel: 510-584-9007

Chicago, IL
873 Cambridge Dr., Elk Grove Village, IL 60007
Tel: 847-584-2227

Brooklyn, NY
9017 5th Ave., Brooklyn, NY 11209
Tel: 347-507-5533

Houston, TX
1720 Townhurst Dr., Houston, TX 77043
Tel: 430-702-0999

Las Vegas, NV
6671 S Las Vegas Blvd. #210, Las Vegas, NV 89119
Tel: 702-706-5559

City of Industry, CA
525 Parriott Pl., City of Industry, CA 91745
Tel: 626-961-8999

Dallas, TX
12901 Valley Branch Ln., Farmers Branch, TX 75234
Tel: 972-996-1600